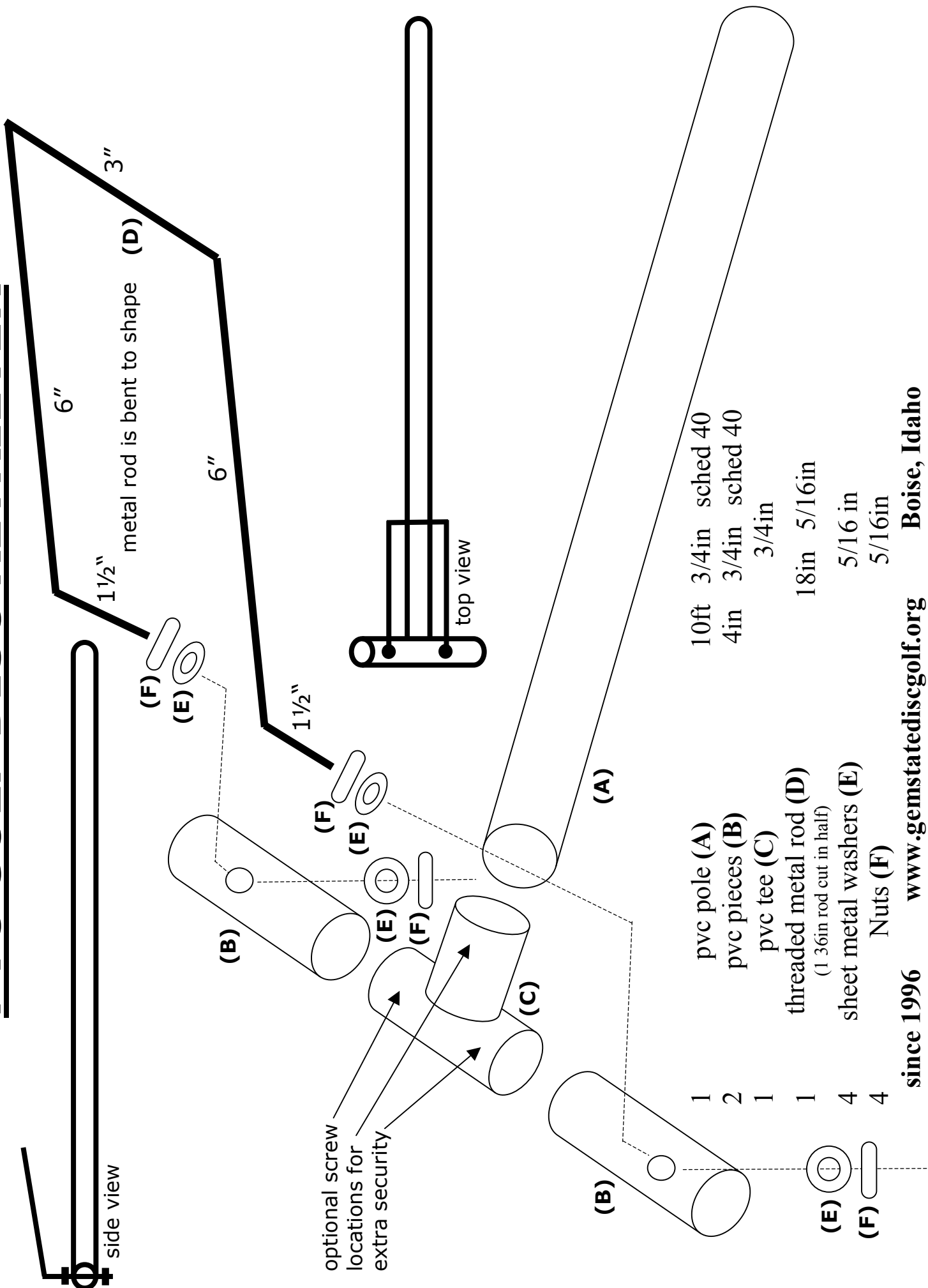


PVC GOLF DISC RETRIEVER



side view

metal rod is bent to shape (D)

top view

optional screw locations for extra security

- 1 pvc pole (A) 10ft 3/4in sched 40
- 2 pvc pieces (B) 4in 3/4in sched 40
- 1 pvc tee (C) 3/4in
- 1 threaded metal rod (D) 18in 5/16in
- (1 3/16in rod cut in half)
- 4 sheet metal washers (E) 5/16 in
- 4 Nuts (F) 5/16in